

(19) World Intellectual Property Organization
International Bureau



(43) International Publication Date
17 June 2004 (17.06.2004)

PCT

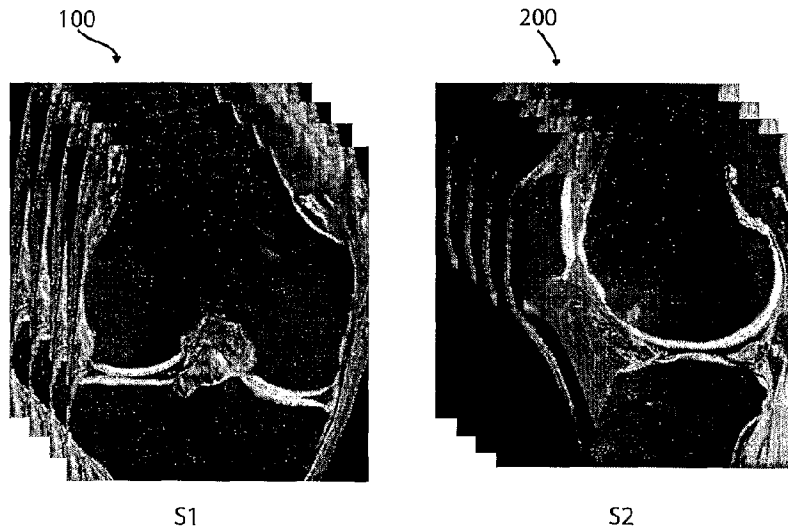
(10) International Publication Number
WO 2004/051301 A2

- (51) International Patent Classification⁷: G01R 33/56
- (21) International Application Number: PCT/US2003/038682
- (22) International Filing Date: 4 December 2003 (04.12.2003)
- (25) Filing Language: English
- (26) Publication Language: English
- (30) Priority Data: 60/431,176 4 December 2002 (04.12.2002) US
- (71) Applicant (for all designated States except US): IMAGING THERAPEUTICS, INC. [US/US]; 1720 South Amphlett Boulevard, Suite 240, San Mateo, CA 94402 (US).
- (72) Inventors; and
- (75) Inventors/Applicants (for US only): TSOUGARAKIS, Konstantinos [GR/US]; 950 High School Way, Apt. 3219, Mountain View, CA 94041 (US). STEINES, Daniel [DE/US]; 3619 Park Boulevard, Palo Alto, CA 94306 (US). TIMSARI, Bijan [IR/US]; 9656 Carroll Canyon Road, Apt. T5, San Diego, CA 92126 (US).
- (74) Agents: PASTERNAK, Dahna et al.; Robins & Pasternak LLP, 1731 Embarcadero Road, Suite 230, Palo Alto, CA 94303 (US).
- (81) Designated States (national): AE, AG, AL, AM, AT, AU, AZ, BA, BB, BG, BR, BW, BY, BZ, CA, CH, CN, CO, CR, CU, CZ, DE, DK, DM, DZ, EC, EE, EG, ES, FI, GB, GD, GE, GH, GM, HR, HU, ID, IL, IN, IS, JP, KE, KG, KP, KR, KZ, LC, LK, LR, LS, LT, LU, LV, MA, MD, MG, MK, MN, MW, MX, MZ, NI, NO, NZ, OM, PG, PH, PL, PT, RO, RU, SC, SD, SE, SG, SK, SL, SY, TJ, TM, TN, TR, TT, TZ, UA, UG, US, UZ, VC, VN, YU, ZA, ZM, ZW.
- (84) Designated States (regional): ARIPO patent (BW, GH, GM, KE, LS, MW, MZ, SD, SL, SZ, TZ, UG, ZM, ZW), Eurasian patent (AM, AZ, BY, KG, KZ, MD, RU, TJ, TM), European patent (AT, BE, BG, CH, CY, CZ, DE, DK, EE, ES, FI, FR, GB, GR, HU, IE, IT, LU, MC, NL, PT, RO, SE, SI, SK, TR), OAPI patent (BF, BJ, CF, CG, CI, CM, GA, GN, GQ, GW, ML, MR, NE, SN, TD, TG).

Published: — without international search report and to be republished upon receipt of that report

[Continued on next page]

(54) Title: FUSION OF MULTIPLE IMAGING PLANES FOR ISOTROPIC IMAGING IN MRI AND QUANTITATIVE IMAGE ANALYSIS USING ISOTROPIC OR NEAR-ISOTROPIC IMAGING



WO 2004/051301 A2

(57) Abstract: In accordance with the present invention there is provided methods for generating an isotropic or near-isotropic three-dimensional images from two-dimensional images. In accordance with the present invention the method includes, obtaining a first image of a body part in a first plane, wherein the first image generates a first image data volume; obtaining a second image of the body part in a second plane, wherein the second image generates a second image data volume; and combining the first and second image data volumes to form a resultant image data volume, wherein the resultant image data volume is isotropic or near-isotropic.



For two-letter codes and other abbreviations, refer to the "Guidance Notes on Codes and Abbreviations" appearing at the beginning of each regular issue of the PCT Gazette.

**FUSION OF MULTIPLE IMAGING PLANES FOR ISOTROPIC IMAGING IN MRI AND
QUANTITATIVE IMAGE ANALYSIS USING ISOTROPIC OR NEAR-ISOTROPIC
IMAGING**

**STATEMENT AS TO RIGHTS TO INVENTIONS MADE UNDER FEDERALLY
SPONSORED RESEARCH AND DEVELOPMENT**

[0001] Certain aspects of the invention described below were made
with United States Government support under Advanced Technology
5 Program 70NANBOH3016 awarded by the National Institute of Standards
and Technology (NIST). The United States Government may have rights in
certain of these inventions.

PRIORITY CLAIM

[0002] This application claims the benefit of U.S. Provisional Patent
10 Application Serial No. 60/431,176, filed December 4, 2002, the entirety of
which is herein incorporated by reference.

TECHNICAL FIELD

[0003] This invention relates generally to medical imaging, and
more specifically to medical imaging that facilitates analysis in more than
15 one dimension, e.g. magnetic resonance imaging (MRI). More particularly
the invention relates to isotropic imaging techniques used in medical
imaging, such as MRI, to improve quantitative image analysis.

BACKGROUND OF THE INVENTION

[0004] Magnetic resonance imaging (MRI) is a noninvasive imaging
20 technique that provides clinicians and diagnosticians with information
about the anatomical structure and condition of a region of interest within a
subject. See, for example, U.S. Patent No. 5,671,741 to Lang et al. issued

September 30, 1997 for "Magnetic Resonance Imaging Technique for Tissue Characterization;" U.S. Patent No. 6,219,571 B1 to Hargreaves et al. issued April 17, 2002, for "Magnetic Resonance Imaging Using Driven Equilibrium Fourier Transform;" U.S. Patent No. 6,479,996 to Hoogeveen et al. issued November 12, 2002 for "Magnetic Resonance Imaging of Several Volumes;" U.S. Patent Application No. 2002/0087274 A1 to Alexander et al. published July 4, 2002 for "Assessing the Condition of a Joint and Preventing Damage." Commonly, in MRI, a substantially uniform temporally constant main magnetic field (B_0) is set up in an examination region in which a subject being imaged or examined is placed. Via radio frequency (RF) magnetic field (B_1) excitation and manipulations, selected magnetic dipoles in the subject that are otherwise aligned with the main magnetic field are tipped to excite magnetic resonance. The resonance is typically manipulated to induce detectable magnetic resonance echoes from a selected region of the subject. In imaging, the echoes are spatially encoded via magnetic gradients set up in the main magnetic field. The raw data from the MRI scanner is collected into a matrix, commonly known as k-space. By employing inverse Fourier, two-dimensional Fourier, three-dimensional Fourier, or other known transformations, an image representation of the subject is reconstructed from the k-space data.

[0005] Conventional MRI scans produce a data volume, wherein the data volume is comprised of voxels having three-dimensional characteristics. The voxel dimensions are determined by the physical characteristics of the MRI machine as well as user settings. Thus, the image resolution of each voxel will be limited in at least one dimension, wherein the loss of resolution in at least one dimension may lead to three-dimensional imaging problems.

[0006] There are many applications in which depth or three-dimensional ("3D") information is useful for diagnosis and formulation of treatment strategies. For example, in imaging blood vessels, cross-

sections merely show slices through vessels, making it difficult to diagnose stenosis or other abnormalities. Likewise, interventional imaging, such as needle tracking, catheter tracking, and the like, requires 3D information. Also, depth information is useful in the so-called interactive imaging techniques in which images are displayed in real or near-real time and in response to which the operator can adjust scanning parameters, such as view angle, contrast parameters, field of view, position, flip angle, repetition time, and resolution.

[0007] Three-dimensional imaging generally involves either acquiring multiple two-dimensional or slice images that are combined to produce a volumetric image or, alternately, the use of three-dimensional imaging techniques. Much effort at improving the efficiency of volume imaging has been focused on speeding up the acquisition. For example, many two-dimensional fast scan procedures have been adapted to three-dimensional imaging. Likewise, efforts have been made to improve reconstruction speed and efficiency, for example, through the use of improved reconstruction algorithms. Nevertheless, three-dimensional imaging remains relatively slow.

[0008] However, current MRI acquisition techniques do not provide high resolution in all planes and quantitative image analysis using isotropic or near-isotropic imaging. Accordingly, the present invention contemplates new and improved magnetic resonance imaging techniques.

[0009] An additional problem not addressed by current 3D MRI scanning methods is the reduction of partial volume effects. Partial volume effects are caused when a voxel falls within the boundary between two scanned objects. For example, if a patient's knee is being sagittally scanned, a voxel may be orientated such that part of the voxel falls within the femur and part falls within a space outside of the femur. MR imaging will average the overall gray value over the entire voxel. The lower the

scanning resolution the greater the partial volume effects. In a 3D scan, where there is low resolution in at least one plane of the scan impact of the partial volume effects is greatly increased. Thus, there is a need for methods of forming 3D MRI scans with reduced impact of partial volume effects.

[0010] Still further, an additional shortcoming of conventional 3D MRI scanning procedures is that boundaries of scanned objects may be missed due to scanning resolution and scan orientation. This may occur when a boundary of an object being scanned lies between the slice thickness of the scan or the boundary of an object is parallel to the imaging plane. Therefore there is a need for improved methods for reducing the likelihood of missed boundaries.

SUMMARY OF THE INVENTION

[0011] The invention addresses the problem that with current 3D image acquisition techniques the in-plane (x-y plane) resolution of the slices is usually at least 3 times higher than the slice thickness (in z-dimension). The low resolution between the slices (typically in z-direction) leads to limitations with respect to 3D image analysis and visualization. The structure of 3-dimensional objects cannot be described with the same accuracy in all three dimensions. Partial volume effects affect interpretation and measurements in the z-dimension to a greater extent than in the x-y plane. Thus, resolution and accuracy of multiplanar reformations depend on the slicing direction through the volumetric data.

[0012] In addition, the invention also addresses the issue of increasing accuracy of tissue segmentation and/or quantitative analysis of images, such as MR images. For example, after obtaining an isotropic or near-isotropic three-dimensional MR image (e.g., using pulse sequence acquisition techniques described herein and known in the field), particular

tissues can be extracted from the image with greater accuracy and, moreover are quantitative. Currently available subjective visual inspection techniques are not quantitative and, additionally, are often inaccurate.

[0013] Thus, in one aspect, a method of improving resolution of
5 images, such as MR images, is provided. In certain embodiments, the method includes, for example, obtaining at least two MR scans (*e.g.*, scans in perpendicular planes) of a body part and merging the scans, thereby increasing resolution. In any of the methods described herein, the scans may be in any plane, for example, sagittal, coronal and/or axial
10 imaging planes. Preferably, the second or subsequent scans contain a sufficient number of slices to cover the entire field of view of the first scan. Furthermore, in any of the methods described herein, the data obtained from the two or more scans are subsequently merged to form a new data volume, which is isotropic (or near-isotropic) and has a resolution
15 corresponding to the in-plane resolution of S1 and S2. Merging may include, for example, determining a gray value for each voxel (*V*) of the new (merged) data volume. In certain embodiments, the gray values are obtained by: (a) determining the position in 3D space for *V*; (b) obtaining (*e.g.*, from the original scans) gray values of the scans prior to fusion at
20 this position; (c) interpolating (combining) gray values from S1 and S2 into a single gray value (*G*); and (d) assigning *G* to *V*.

[0014] In any of the methods described herein, any living tissue can be imaged, including, but not limited to, joints, bones and/or organs (*e.g.*, brain, liver, kidney, heart, blood vessels, GI tract, etc.).

25 [0015] In accordance with the present invention there is provided a MRI scanning method, the method comprising, performing a first MRI scan of a body part in a first plane, wherein the first MRI scan generates a first image data volume; performing a second MRI scan of the body part in a second plane, wherein the second MRI scan generates a second image

data volume; and combining the first and second image data volumes to form a resultant image data volume, wherein the resultant image data volume is isotropic.

[0016] In accordance with another embodiment of the present invention there is provided a method for producing isotropic or near-isotropic image data, the method comprising: obtaining a first image data volume from a first MRI scan in a first plane; obtaining a second image data volume from a second MRI scan in a second plane; extracting boundary image data from each of the first and second image data volumes; combining said extracted boundary image data to form a resultant image data volume.

[0017] In accordance with the present invention there is provided a method for generating a three dimensional data volume, the method comprising: acquiring at least two data volumes from at least two MRI scans performed in two different planes; combining the data volumes to form a resultant data volume; selecting a therapy in response to the resultant data volume; and deriving a shape for an implant.

[0018] The system includes an image analysis method. The image analysis is performed by obtaining a first image of a body part in a first plane, wherein the first image generates a first image data volume; obtaining a second image of the body part in a second plane, wherein the second image generates a second image data volume; and combining the first and second image data volumes to form a resultant image data volume, wherein the resultant image data volume is isotropic. Additionally, first and second gray values can be obtained from the first and second image data volumes at one or more three-dimensional positions. That data can then be interpolated to provide a resultant gray value which is then assigned to a voxel in the three-dimensional position of the resultant data volume. As will be appreciated by those of skill in the art, the angle

between the images can range from about 0° to 180°, or from 0° to 90°. Once these values have been obtained, a therapy or treatment can be selected to complement the data volume. A person of skill in the art will appreciate that at least one additional image of a body part taken in a
5 plane different than any previous plane used can be taken used to generate additional image volume. From that image volume, data volume is generated which can then be combined with the first and second image data volumes to form a resultant data volume. Of course, extracting a boundary image data volume from the resulting image data volume can
10 also be performed, if desired.

[0019] A method is also described for producing isotropic or near-isotropic image data from images. This method generally comprises: obtaining a first image data volume from a first image in a first plane; obtaining a second image data volume from a second image in a second
15 plane; extracting boundary image data from each of the first and second image data volumes; and combining the extracted boundary image data to form a resultant image data volume. Of course, it is possible to also obtaining at least one additional image data volume from at least one additional image in a plane different than the first plane and the second
20 plane; extracting an additional boundary image data from the additional image data volume; and combining the additional boundary image data volume with the resultant image data volume. This resultant data can be isotropic or near-isotropic. As will be appreciated, the first plane can be at an angle relative to the second plane; that angle can be from about 0° to
25 180° or from about 0° to 90°.

[0020] A method is included for generating a three dimensional data volume. Generally, this method includes acquiring at least two data volumes from at least two images performed in two different planes; combining the data volumes to form a resultant data volume; selecting a

therapy in response to the resultant data volume; selecting an implant; and deriving a shape for an implant. The combining step can further include obtaining gray values for each data point in each of the data volumes; interpolating a resultant gray value from gray values; and assigning the resultant value to each data point of the resultant data volume. Prior to combining the data, data corresponding to any surface can be scanned in each plane and extracted.

[0021] Another method for generating three dimensional data is also disclosed. This method includes obtaining a first image in a first plane producing a first data volume with a default resolution; obtaining a second image in a second plane producing a second data volume with the default resolution; combining the first and second data volumes to produce a resultant data volume, the resultant data volume having a resultant resolution. As will be appreciated, the resultant resolution is greater than the default resolution.

[0022] An image analysis method is disclosed that includes the steps of obtaining at least one image of a body part in at least a first plane and a second plane, wherein the first plane generates a first image data volume and the second plane generates a second image data volume; and combining the first and second image data volumes to form a resultant image data volume, wherein the resultant image data volume is isotropic.

[0023] An alternative image analysis method is also disclosed that includes obtaining at least one image of a body part in at least a first plane and a second plane, wherein the first plane generates a first image data volume and the second plane generates a second image data volume; and combining the first and second image data volumes to form a resultant image data volume, wherein the resultant image data volume is near-isotropic.

[0024] In accordance with the present invention there is provided a method for generating three dimensional MRI scan data, the method comprising: performing a first MRI scan in a first plane producing a first data volume with a default resolution; performing a second MRI scan in a second plane producing a second data volume with the default resolution; combining the first and second data volumes to produce a resultant data volume, the resultant data volume having a resultant resolution.

BRIEF DESCRIPTION OF THE FIGURES

[0025] **FIG. 1** illustrates two MRI scans illustrating data volumes S1 and S2; each of the scans shows a plurality of image slides taken in planes parallel to the initial scan.

[0026] **FIG. 2** illustrates a set of three voxels produced by an image scan illustrating an increased z-axis length.

[0027] **FIG. 3** illustrates a first set of three voxels produced by an image scan illustrating a z-axis component.

[0028] **FIG. 4** illustrates a second set of three voxels produced by an image scan illustrating a z-axis component.

[0029] **FIG. 5** illustrates a resultant set of nine voxels generated by the methods in accordance with the present invention.

[0030] **FIG. 6** illustrates a combined boundary image data extracted from two image scans.

[0031] **FIG. 7** illustrates a three-dimensional implant design generated from at least two image scans.

[0032] **FIGS. 8A-C** illustrate flow charts illustrating processes of the invention.

DETAILED DESCRIPTION OF THE PREFERRED EMBODIMENTS

[0033] The following description is presented to enable any person skilled in the art to make and use the invention. Various modifications to the embodiments described will be readily apparent to those skilled in the art, and the generic principles defined herein can be applied to other 5 embodiments and applications without departing from the spirit and scope of the present invention as defined by the appended claims. Thus, the present invention is not intended to be limited to the embodiments shown, but is to be accorded the widest scope consistent with the principles and 10 features disclosed herein. To the extent necessary to achieve a complete understanding of the invention disclosed, the specification and drawings of all issued patents, patent publications, and patent applications cited in this application are incorporated herein by reference.

[0034] As will be appreciated by those of skill in the art, methods 15 recited herein may be carried out in any order of the recited events which is logically possible, as well as the recited order of events. Furthermore, where a range of values is provided, it is understood that every intervening value, between the upper and lower limit of that range and any other stated or intervening value in that stated range is encompassed within the 20 invention. Also, it is contemplated that any optional feature of the inventive variations described may be set forth and claimed independently, or in combination with any one or more of the features described herein.

[0035] The present invention is of a method of image analysis that can be used for improving tissue segmentation and/or quantifying image 25 analysis. Specifically, the present invention combines two or more images to achieve high resolution in all three-dimensional directions. The principles and operation of the method according to the present invention may be better understood with reference to the accompanying descriptions.

[0036] **1.0 GENERAL OVERVIEW**

[0037] According to the present invention, a method of improving resolution and/or tissue segmentation of images taken of a body part is described. This method typically involves acquiring at least two images in
5 different planes and combining the images to achieve the same (e.g., high) degree of resolution in all directions. The images can be acquired, for example, by using an MRI. However, as other imaging devices become available, those of skill in the art will appreciate that these techniques can be provided to other imaging devices as well, without departing from the
10 scope of the invention.

[0038] The methods described herein provide isotropic or near-isotropic resolution which results in improved tissue segmentation. Unlike currently employed visual inspection, which is highly subjective, the methods and compositions described herein are quantitative and,
15 accordingly, increase the accuracy of diagnosis and design of treatment regimes.

[0039] **1.1 MAGNETIC RESONANCE IMAGING (MRI)**

[0040] Describing MRI in general terms, all protons within living tissues have an inherent magnetic moment and spin randomly giving rise
20 to no net magnetization or direction. When a specimen is placed within the magnetic field of the MR scanner, the protons continue to spin but align themselves parallel or anti-parallel to the direction of the field (B_0) corresponding to low and high-energy states respectively. In the course of an MR examination, a radiofrequency (RF) pulse (B_1) is applied to the
25 sample from a transmitter coil orientated perpendicular to B_0 and the protons are momentarily tilted out of alignment; the precession of the induced net transverse magnetization around the axis of the static B_0 field produces a voltage across the ends of the receiver coil which is detected as the MR signal. For a general discussion of the basic MRI principles

and techniques, see MRI Basic Principles and Applications, Second Edition, Mark A. Brown and Richard C. Semelka, Wiley-Liss, Inc. (1999); see, also, U.S. Patent No. 6,219,571 to Hargreaves, et al.

[0041] 1.1 HIGH RESOLUTION 3D MRI PULSE SEQUENCES

5 **[0042]** MRI employs pulse sequences that allow for better contrast of different parts of the area being imaged. Different pulse sequences are better suited for visualization of different anatomic areas. More than one pulse sequence can be employed at the same time. A brief discussion of different types of pulse sequences is provided in International Patent
10 Publication WO 02/22014 to Alexander et al. published March 21, 2002.

[0043] Routine MRI pulse sequences are available for imaging tissue, such as cartilage, include conventional T1 and T2-weighted spin-echo imaging, gradient recalled echo (GRE) imaging, magnetization transfer contrast (MTC) imaging, fast spin-echo (FSE) imaging, contrast
15 enhanced imaging, rapid acquisition relaxation enhancement, (RARE) imaging, gradient echo acquisition in the steady state, (GRASS), and driven equilibrium Fourier transform (DEFT) imaging. As these imaging techniques are well known to one of skill in the art, e.g. someone having an advanced degree in imaging technology, each is discussed only
20 generally hereinafter.

[0044] 1.2. MEASUREMENT OF T1 AND T2 RELAXATION

[0045] As a result of random thermal motion, the proton spins within a sample lose coherence with one another. This loss of coherence results in signal decay. The time taken for the MR signal to return to zero depends
25 on many factors, one is the rate at which the energized spins lose excess energy relative to their immediate environment. This phenomenon called spin-lattice, or T1 relaxation, affects mainly magnetization parallel to B_0 and leads to a net loss of energy from the spin system.

[0046] Another phenomenon that is observed is that the spins of neighboring protons tend to drift out of alignment with one another as a result of slight differences in frequency. This causes a loss in phase coherence, referred to as spin-spin or T_2 relaxation. T_2 relaxation affects the transverse component of the magnetization but does not cause a net loss of energy.

[0047] Conventional T1 and T2-weighted MRI depict living tissue such as articular cartilage, and can demonstrate defects and gross morphologic changes. One of skill in the art could readily select a T1 or T2-weighted MRI depending on the structure to be imaged. For example, T1-weighted images show excellent intra-substance anatomic detail of certain tissue such as hyaline cartilage while T2-weighted imaging provides a better depiction of joint effusions and thus surface cartilage abnormalities.

15 [0048] **1.3 GRADIENT-RECALLED ECHO (GRE) IMAGING**

[0049] Gradient-recalled echo (GRE) imaging has 3D capability and the ability to provide high resolution images with relatively short scan times. Fat suppressed 3D spoiled gradient echo (FS-3D-SPGR) imaging has been shown to be more sensitive than standard MR imaging for the detection of hyaline cartilage defects such as those typically occurring in the knee.

[0050] **1.4 MAGNETIZATION TRANSFER CONTRAST IMAGING**

[0051] Magnetization transfer imaging can be used to separate articular cartilage from adjacent joint fluid and inflamed synovium.

25 [0052] **1.5 FAST SPIN-ECHO (FSE) IMAGING**

[0053] Fast spin-echo (FSE) imaging is another useful pulse sequence MRI technique. Incidental magnetization transfer contrast contributes to the signal characteristics of on fast spin-echo images and

can enhance the contrast between tissues. Sensitivity and specificity of fast spin-echo imaging have been reported to be 87% and 94% in a study with arthroscopic correlation.

[0054] 1.6 ECHO PLANAR IMAGING (EPI)

5 **[0055]** Echo planar imaging (EPI) is an imaging technique in which a series of echoes is rapidly induced following a single radiofrequency (RF) pulse. More specifically, an RF pulse and a slice select gradient are applied to excite resonance in a selected slice and a phase encode gradient is applied to phase encode the resonance. A series of frequency
10 encode or read gradients of alternating polarity is applied in successive fashion. During each read gradient, a magnetic resonance signal or echo is read out. Between each read gradient, a short pulse or blip along the phase encode gradient axis is applied to increment the phase encoding of the resonance by a line in the selected slice. A one-dimensional inverse
15 Fourier transform of each echo provides a projection of the spin distribution along the read axis. A second inverse Fourier transform along the phase encoded echoes provides a second dimension of spatial encoding. Typically, the phase encode gradient blips are selected of an appropriate magnitude that data for a complete field of view is taken
20 following each RF pulse. The total sampling time is determined by the number of sampled points per read gradient and the number of phase encode gradient steps.

[0056] Echo volume imaging extends echo planar imaging techniques to multiple planes. After performing the above-described echo
25 planar imaging sequence, a pulse or blip along a secondary phase encoding axis is applied. Typically, the secondary phase encoding blips step the phase encoding along an axis perpendicular to the primary phase encode and read axes. Thereafter, phase encode gradient blips are applied between each read gradient to step line by line in the primary

phase encode direction. Because the phase encode blips in the first k-space plane move the phase encoding to one extreme edge of the field of view, the phase encoding blips in the second k-space plane in the secondary phase encode direction are typically of the opposite polarity to step the phase encoding back in the opposite direction. In this manner, the multiple planes are aligned, but offset in steps in the z-direction. One disadvantage of the above echo planar imaging and echo volume imaging techniques is that the trajectory through k-space is reversed in time for alternate phase encode lines or views. This causes phase discontinuities that can result in ghosting.

[0057] Spiral echo planar imaging techniques are also known, in which the applied x- and y-gradient pulses, i.e., along the traditional read and phase encode axes, are sinusoidally varying and linearly increasing. In this manner, data sampling commences at the center of the field of view and spirals outward, covering the field of view along a spiral k-space trajectory. One of the drawbacks of spiral echo planar imaging, however, is that it is a single slice technique. To obtain multiple slices, the spiral echo planar imaging technique is repeated multiple times. An RF excitation pulse and slice select gradient followed by sinusoidally varying and linearly increasing x and y-gradients are applied for each slice to achieve coverage of the volume of interest.

[0058] **1.7 CONTRAST ENHANCING IMAGING**

[0059] The use of gadolinium in imaging has been applied in several different forms. For example, direct magnetic resonance (MR) arthrography, wherein a dilute solution containing gadolinium is injected directly into a tissue (e.g., joint), improves contrast between cartilage and the arthrographic fluid. Indirect MR arthrography, with a less invasive intravenous injection, can also be applied. Gadolinium enhanced imaging has the potential to monitor glycosaminoglycan content, which

may have implications for longitudinal evaluations of injured soft tissue such as cartilage.

[0060] **1.8 DRIVEN EQUILIBRIUM FOURIER TRANSFORMATION**

[0061] Another 3D imaging method that has been developed is
5 based on the driven equilibrium Fourier transform (DEFT) pulse sequence
(U.S. Pat. No. 5,671,741 to Lang et al. issued September 30, 1997), and
may be specifically utilized for soft tissue (e.g., cartilage) imaging. DEFT
provides an effective tradeoff between T2/T1 weighting and spin density
contrast that delineates the structures of interest. Contrast-to-noise ratio
10 may, in certain tissues/structures, be greater with DEFT than with spoiled
gradient echo (SPGR). DEFT is an alternative approach to SPGR. DEFT
contrast is very well suited to imaging articular cartilage. Synovial fluid is
high in signal intensity, and articular cartilage intermediate in signal
intensity. Bone is dark, and lipids are suppressed using a fat saturation
15 pulse.

[0062] **1.9 A REPRESENTATIVE EXAMPLE OF MR IMAGING**

[0063] A MR image can be performed using a whole body magnet
operating at a field strength of 1.5 T (GE Signa, for example, equipped
with the GE SR-120 high speed gradients [2.2 Gauss/cm in 184 μ sec
20 risetimes]). Prior to MR imaging, external markers filled with Gd-DTPA
(Magnevist.RTM., Berlex Inc., Wayne, N.J.) doped water (T1 relaxation
time approximately 1.0 sec) can be applied to the skin. External markers
can be included in the field of view of all imaging studies. Patients can be
placed in the scanner in supine position and the appropriate area imaged.
25 After an axial scout sequence, coronal and sagittal T1-weighted images
can be acquired using the body coil (spin-echo, TR=500 msec, TE=15
msec, 1 excitation (NEX), matrix 256 x128 elements, field of view (FOV)
48 cm, slice thickness 7 mm, interslice spacing 1 mm). The scanner table
can then be moved to obtain coronal and sagittal images using the same

sequence parameters. These T1-weighted scans can be employed to identify axes that can be used later for defining the geometry of the tissue. A rapid scout scan can be acquired in the axial plane using a gradient echo sequence (GRASS, 2D Fourier Transform (2DFT), TR=50 msec, 5 TE=10 msec, flip angle 40°, 1 excitation (NEX), matrix 256 x 128 elements, field of view (FOV) 24 cm, slice thickness 7 mm, interslice spacing 3 mm). This scout scan can be used to determine all subsequent high resolution imaging sequences centered over the body part. Additionally, using the graphic, image based sequence prescription mode 10 provided with the scanner software, the scout scan can help to ensure that all external markers are included in the field of view of the high resolution MR sequences.

[0064] There are several issues to consider in obtaining a good image. One issue is good contrast between different tissues in the imaged 15 area in order to facilitate the delineation and segmentation of the data sets. In addition, if there are external markers, these must be visualized. One way to address these issues is to use a three-dimensional spoiled gradient-echo sequence in the sagittal plane with the following parameters (SPGR, 3DFT, fat-saturated, TR=60 msec, TE=5 msec, flip angle 40°, 1 20 excitation (NEX), matrix 256 x 160 elements, rectangular FOV 16 x 12 cm, slice thickness 1.3 mm, 128 slices, acquisition time approximately 15 min). Using these parameters, one can obtain complete coverage across the body area and the external markers both in mediolateral and anteroposterior direction while achieving good spatial resolution and 25 contrast-to-noise ratios. The fat-saturated 3D SPGR sequences can be used for rendering many tissues in three dimensions, e.g. cartilage. The 3D SPGR sequence can then be repeated in the sagittal plane without fat saturation using the identical parameters and slice coordinates used during the previous acquisition with fat saturation. The resultant non-fat- 30 saturated 3D SPGR images demonstrate good contrast between low

signal intensity cortical bone and high signal intensity bone marrow thereby facilitating 3D rendering of the femoral and tibial bone contours. It is to be understood that this approach is representative only for joints and should not be viewed as limiting in any way.

5 [0065] **1.10 MAGNETIC RESONANCE IMAGING – VERTICALLY OPEN
MAGNET (0.5T)**

[0066] MR imaging can also be performed using a 0.5 T vertically open MR unit (GE Signa SP, General Electric, Milwaukee, Wis.) and a MR tracking system. Prior to MR imaging, external markers filled with Gd-DTPA (Magnevist.RTM., Berlex Inc., Wayne, N.J.) doped water (T1 relaxation time approximately 1.0 sec) can be applied to the skin. The subject can be placed in upright position inside the magnet. The body part can be perpendicular to the main magnetic field. A 2DFT fast spin echo pulse sequence can be acquired in the sagittal plane (FSE, TR=4000 msec, TE=25 msec, bandwidth 7.8 kHz, echo train length 8, 3 excitations, slice thickness 4 mm, interslice spacing 0.5 mm, matrix 256 x 192 elements, field of view 24 cm). For rapid scan acquisition with scan plane tracking, a fast single slice gradient-echo pulse sequence can be acquired in the sagittal plane or in the axial plane (GRASS, TR=14 msec, TE=5 msec, flip angle 40 degrees, bandwidth 32 kHz, 1 excitation, slice thickness 4 mm, matrix 256 x 128 elements, field of view 20 cm, temporal resolution 2 sec/image). A field of view of 20 cm can be chosen in order to achieve sufficient anatomic coverage in superoinferior.

[0067] **2.0 FUSING IMAGES**

25 [0068] Despite the existence of these imaging techniques, resolution in more than one plane remains difficult. In accordance with the present invention there is provided methods to overcome resolution difficulties wherein at least two data volumes from two separate images,

such as MRI scans, are combined to form a single data volume having isotropic or near-isotropic resolution.

[0069] Referring now to FIG. 1, there is shown at least two exemplary data volumes S1 **100** and S2 **200** generated by at least two separate images. As illustrated here, each data volume **100**, **200** has a plurality of data volumes $100_{(1-n)}$, $200_{(1-n)}$, as shown by the stacking of the image slices. **S1** is an image of a knee joint taken in the coronal plane, while **S2** is an image of a knee joint taken in the sagittal plane. In this example, **S1** and **S2** are taken in planes that are perpendicular to each other. However, as will be appreciated by those of skill in the art, other orientations and plane relationships can be used without departing from the scope of the invention.

[0070] Each data volume can have equal imaging dimensions in two dimensions, for example, the x and y-axes, while the imaging dimension in a third dimension, e.g. z-axis, is greater than those in the first two dimensions, in this case the x-axis and y-axes. In a preferred embodiment a second scan can be taken at an angle between, for example, about 0° and 180° and more preferably between about 0° and 90°.

[0071] Although the present invention is described using at least two scans, a person of skill in the art will appreciate that more scans can be used without departing from the scope of the invention. Thus, additional scans in the same or other planes or directions can also be obtained and analyzed. For example, if the first scan is acquired in the sagittal direction, a second scan in the coronal or axial imaging plane can then be acquired.

[0072] It is possible that the second scan would have the same in-plane resolution as the first scan. The second scan could then contain a sufficient number of slices to cover the entire field of view of the first scan,

thereby resulting in two data volumes with information from the same 3D space.

[0073] As described above, the data volumes generated from each image include x, y, and z-axis coordinate data, wherein as shown in **FIG. 1**
5 , the x and y-axis data is isotropic while the z-axis data is non-isotropic. This phenomenon is better shown in **FIG. 2** where there is shown an exemplary set of three voxels **200** as produced by an MRI scan in accordance with the present invention. The voxels **200** shown in **FIG. 2** are shown being orientated in the z-axis wherein the arrow **210** indicated
10 the slice thickness of the image, in this case an MRI scan. The voxels **200** further include a physical item **220** to be imaged. As shown in **FIG. 2** it can be seen that due to the slice thickness **210**, information pertaining to the physical item **220** to be imaged results in decreased accuracy.

[0074] In addition to potentially missing data another problem with
15 the larger slice thickness is the increase of partial volume effects. A partial volume effect occurs when a voxel only covers part of an object to be imaged, thus the gray value of the voxel is averaged instead of being a true gray value. As shown in **FIG. 2**, a partial volume effect occurs when a pixel or voxel is partially disposed over an object to be imaged **220**. Since
20 the voxel **200** is disposed partially over the object to be imaged the voxel's gray value will be averaged. To reduce the occurrence of partial volume effects, the present invention reduces the slice thickness of the scan, thereby reducing the likelihood of each voxel from being partially disposed on the object to be imaged.

25 [0075] Referring now to **FIGS. 3-5**, there is shown an exemplary embodiment of producing an isotropic or near-isotropic voxel in accordance with the present invention. As shown in **FIG. 3**, there is shown a set of three voxels **300** produced by an image scan, wherein the voxels

are shown having a z-axis **310** of greater length than the x-axis **315** and y-axis **320**.

[0076] Referring now to **FIG. 4**, there is shown a second set of three voxels **330** produced by a second image scan, wherein the second scan
5 was taken at an angle θ relative to the first scan. As discussed above, θ can range from, for example, about 0° to about 180° . As shown in **FIG. 4**, the second set of voxels has a z-axis dimension **340** greater than its x-axis **345** and y-axis **350**, wherein the z-axis **340** of the second set of voxels can be orientated in a plane different than that of the first set of voxels.

10 [0077] Referring now to **FIG. 5**, there is shown a third set of voxels **360** consisting of nine voxels, wherein the third set of voxels **360** has been formed by combining the first and second sets of voxels, wherein the z-axis data of the first set has been combined with x-axis or y-axis data from the second set of voxels to form a new z-axis **370** of the third set of voxels
15 **360**, wherein the z-axis of the third voxel **370** has a length equal to or nearly equal to that of the x-axis **375** and y-axis **380**, therefore producing voxels having isotropic or near-isotropic dimensions.

[0078] After having performed at least two scans producing two data volume sets as shown in **FIG. 1**, the two data volumes are
20 subsequently merged into a third data volume as shown in **FIGS. 3-5**. This resultant data volume is isotropic or near-isotropic with a resolution corresponding to the in-plane resolution of **S1** and **S2**. The gray value for each voxel of the third data volume is preferably calculated as follows: (a) determine the position in 3D space for each voxel; (b) determine (e.g., look
25 up) the gray values in **S1** and **S2** at this position; (c) employ an appropriate interpolation scheme to combine the two gray values into a single gray value; and (d) assign each determined gray value to each voxel in the resultant data volume.

[0079] These manipulations may be repeated for more scans. Furthermore, to compensate for differences in positioning between **S1** and **S2** of the scanned subject, e.g. due to motion, a registration technique such as principal-axis or volume-based matching can be applied.

5 [0080] **3.0 TISSUE SEGMENTATION**

[0081] In accordance with an alternative embodiment of the present invention there is provided a method of producing isotropic or near-isotropic MRI scan data from at least two image scans.

[0082] As described in detail above, two individual data volumes are
10 obtained from two separate image scans, wherein each of the scans have been taken at an angle θ relative to each other. In a preferred embodiment, the second scan, or image, is preferably taken at an angle θ between about 0° and 180° more preferably between an angle between about 0° and 90° . Wherein each of the image scans produce individual
15 data volumes having x, y, and z components wherein the x and y components are isotropic or nearly isotropic and the z-axis size is determined by the slice thickness (or step length) of, for example, the MRI machine.

[0083] Tissue segmentation means can be applied to extract one or
20 more tissues from one or more images. This can be achieved with classification of pixels or voxels of an electronic anatomical image (e.g. x-ray, CT, spiral CT, MRI) into distinct groups, where each group represents a tissue or anatomical structure or combination of tissues or anatomical structures or image background. For example, as described above, every
25 data point of the first and second data volumes were combined to form a resultant data volume. Segmentation can then be performed on the entire data volume or subportions of the data volume. While effective in producing an isotropic or near-isotropic resultant data volume, the amount of data processing is great. Therefore, the method above requires a fairly

substantial amount of computer processing power as well as time to complete the mathematical calculations required.

[0084] Referring now to **FIG. 6** there is shown an exemplary embodiment of a three-dimensional MRI scan produced in accordance with the tissue segmentation methods of the present invention, wherein data pertaining to the object to be imaged has been first extracted from each of the data volumes prior to combining the extracted data to produce the three-dimensional scan of **FIG. 6**. As shown in **FIG. 6**, the cartilage surface of the medial femoral condyle is shown, wherein a sagittal scan **400** and a coronal scan **450** were both acquired at a resolution of 0.27 mm x 0.27 mm in-plane resolution, and a 3mm slice thickness with a 0.5 mm spacing. As shown in **FIG. 6**, the medial edge is outlined well in the coronal scan, while the posterior edge of the condyle can be best seen in the sagittal scan.

[0085] In accordance with the alternative embodiment, data pertaining to a surface or an area of interest is first extracted from each data volume produced by two or more image scans. After extracting the data volumes of interest, each pixel or voxel in the data volumes are subsequently merged into a new data volume by transforming them into a common coordinate system. This can be achieved by explicitly computing a transformation matrix for one or more of the data sets through the use of anatomical or other user defined landmarks or through a priori knowledge of the image position and orientation, such as the information provided by the DICOM imaging standard. To define a transformation in 3D space, the coordinates of four points in the original data volume and its corresponding location in the new data volume needs to be identified. These coordinate pairs are used to set-up a linear system of the form:

$$A \times T = B,$$

where A is the matrix with the original coordinates, T is the transformation matrix and B is the matrix with the new coordinates. The solution to the above system is given by:

$$T = B \times A^{-1}$$

5 [0086] Alternatively, a transformation matrix can be implicitly calculated by performing a surface registration between the data sets. A surface registration algorithm merges the two data volumes by minimizing a cost function, such as a Euclidean distance transform and thus combining the volume data. **FIG. 6** shows an example of a resultant data
10 volume. This resultant data volume is isotropic or near-isotropic with a resolution corresponding to the in-plane resolution of **S1** and **S2**.

[0087] In another embodiment of the invention, a 3D MRI image is obtained using any suitable technique, for example using pulse sequence acquisition parameters that provide a 3D rather than a 2D Fourier
15 Transform acquisition with isotropic or near-isotropic resolution, or by using fusion of two or more 2D acquisitions. As used herein, isotropic resolution refers to an MRI image in which the slice thickness is equal to the in-plane resolution. Similarly, the term "near-isotropic resolution" refers to an image in which the slice thickness does not exceed more than
20 2x the in-plane resolution, more preferably not more than 1.5x the in-plane resolution and even more preferably not more than 1.25x the in-plane resolution. The isotropic or near-isotropic 3DFT imaging pulse sequence has advantages with regard to partial volume averaging. Partial volume averaging is typically not greater in slice direction (z-direction) than in the
25 imaging plane (x and y-direction).

[0088] Non-limiting examples of pulse sequences suitable for obtaining near-isotropic or isotropic images include 3D FSE, 3D MFAST/3D SS-SPGR, 3D FIESTA/3D SSFP, 3D FEMR, 3D DESS, 3D VIBE, and 3D SSFP. The preferred in-plane resolution of the 3DFT

isotropic or near-isotropic imaging sequence is less than 0.5mm and the preferred slice thickness is less than 0.8 mm, preferably less than 0.5 mm.

[0089] Subsequently, these isotropic or near-isotropic resolution images are used to increase the accuracy of segmentation or tissue
5 extraction and any subsequent visualizations and/or quantitative measurements of the body part, (e.g., measurement of cartilage thickness or size of cartilage defects).

[0090] Thus, the invention described herein allows, among other things, for increased resolution and efficiency of tissue segmentation or
10 tissue extraction. Following the manipulations described herein (e.g., merging of multiple images, isotropic or near-isotropic resolution imaging), commercially available segmentation software can be used, for example software that includes seed-growing algorithms and active-contour algorithms that are run on standard personal computers.

15 [0091] For example, articular cartilage shown in the 3D MR images may be analyzed. A sharp interface is present between the high signal intensity bone marrow and the low signal intensity cortical bone thereby facilitating seed growing.

[0092] One exemplary, but not limiting, approach uses a 3D surface
20 detection technique that is based on a 2D edge detector (Wang-Binford) that has been extended to 3D. This surface detection technique can generate surface points and their corresponding surface normal. To smooth the contour, the program samples 25 percent of the surface points and fits a cubic spline to the sample points. The program can compute the
25 curvature along sample spline points and find two sample points that have the maximum curvature and are separated by about half the number of voxels on the contour. These points partition the spline into two subcontours. For each subcontour, the program can compute the average distance between the points and the center of the mass.

[0093] Programs can allow the user, through the use of the mouse and/or keyboard, the ability to observe the scene from arbitrary angles; to start and stop the animation derived from the 3D data. Additionally, the user can derive quantitative information on the scene through selecting
5 points with the mouse.

[0094] The software programs can be written in the C++ computer language and can be compiled to run, for example on Silicon Graphics Workstations or Windows/Intel personal computers.

[0095] **4.0 THREE-DIMENSIONAL IMAGES**

10 [0096] After the 3D MR image is obtained, by either using a 3D acquisition or by fusing two or more 2D scans as described above, and after one or more anatomical objects have been extracted using segmentation techniques, for example, the object information can be transformed to a surface representation using a computer program. The
15 program can, for example, be developed in AVS Express (Advanced Visual Systems, Inc., Waltham, Mass.). Every voxel has a value of zero if it is not within an object of interest or a value ranging from one to 4095, depending on the signal intensity as recorded by the 1.5 T MR. An isosurface can then be calculated that corresponds to the boundary
20 elements of the volume of interest. A tessellation of this isosurface is calculated, along with the outward pointing normal of each polygon of the tessellation. These polygons can be written to a file in a standard graphics format (e.g. Virtual Reality Modeling Language Version 1.0: VRML output language) and visualized on a computer screen.

25 [0097] Visualization programs are also available, for example, user controllable 3D visual analysis tools. These programs read in a scene, which scene consists of the various 3D geometric representations or "actors." The program allows the user, through the use of the mouse and/or keyboard, the ability to observe the scene from arbitrary angles; to

start and stop the animation derived from the 3D data. Additionally, the user may derive quantitative information on the scene through selecting points with the mouse.

[0098] The software programs can be written in the C++ computer language and be compiled to run, for example, on Silicon Graphics Workstations and Windows/Intel personal computers. Biochemical constituents, for example of cartilage, may also be visualized, for example as described in WO 02/22014 to Alexander.

[0099] A method is also described for producing isotropic or near-isotropic image data from images. This method is shown in FIG. 8A. The first step is to obtain an image **800**. As shown by optional repeat step **801**, this step can be repeated such that multiple images are obtained. Suitable images include, for example, MRI. Once the image or images have been obtained image data volume is obtained **810**. Image data volume can be obtained one or more times as indicated by the optional repeat step **811**. The generated image data is then combined to form an isotropic image volume **820** or a near-isotropic image volume **822**. As will be appreciated by those of skill in the art, the process of forming one or more isotropic or near-isotropic image volume can be repeated one or more times as shown by optional repeat steps **821**, **823**.

[0100] A method is also described for producing isotropic or near-isotropic image volume from images. This method is shown in FIG. 8B. The first step is to obtain an image data volume **830**. As shown by optional repeat step **831**, this step can be repeated such that multiple image data volumes are obtained. Once the image data volume or volumes have been obtained boundary image data is extracted **840**. The extraction process can be repeated one or more times, as desired, **841**. The extracted data volumes are combined to form isotropic image volumes **842**, or near-isotropic image volumes **844**. As will be appreciated by those of skill in the

art, more than one volume can be generated based on the extracted boundary image data **843, 845**, if desired.

[0101] Another method is provided shown in **FIG. 8C**. This method includes the step of obtaining data volume from an image **850**, a process
5 that can optionally be repeated **851**, if desired. Once the data volume is obtained, the data volume are combined to form at least one resultant data volume **860**. More than one resultant data volume can be obtained **861**, if desired. After obtaining the resultant data volume **860**, a therapy can be selected based on the data volume **870** or a shape of an implant can be
10 selected or derived **872**. Either or both of these steps can be repeated, if desired, **871, 873**.

[0102] Referring now to **FIG. 7** there is shown an implant design **500** generated by the methods in accordance with the present invention, wherein three-dimensional surface has been generated according the
15 methods of the present invention. This three dimensional surface can then be utilized to manufacture an implant or select a therapy including an implant. Examples of such implants and implant techniques can be seen in co-pending US Patent Application No. ___/___,___ filed on November
25, 2003 by Aaron Berez, et al., for "Patient Selectable Joint Arthroplasty
20 Devices and Surgical Tools Facilitating Increased Accuracy, Speed and Simplicity in Performing Total and Partial Joint Arthroplasty," the entirety of which is herein incorporated by reference.

[0103] Alternatively, it may be determined after having generated a three-dimensional surface such as that shown in **FIG. 7**, that this type of
25 implant is not necessary or cannot be utilized. Thus, a therapy may be chosen as an alternative or in addition to this type of implant. Examples of therapies include: drug therapy such as pain medication, chondroprotective agents, chondroregenerative agents, bone protective agents, bone regenerating agents, bone anabolic agents, bone osteoclast

inhibiting agents, injections of hyaluronic acid or chondroitin sulfates or other drugs or bioactive substances into the joint, osteotomy, chondral or osteochondral autografts or allografts, or other types of implants. Other types of implants can include, for example, total or unicompartmental
5 arthroplasty devices.

[0104] The methods present herein can be utilized at different timepoints, e.g. a timepoint T1 and a later or earlier timepoint T2. These timepoints can occur, for example, within one imaging session on a single day, or can occur over multiple imaging sessions over multiple days. The
10 time span can further be hours, days, weeks, months and years. Tissues can then be characterized using quantitative measurements of the resultant data volumes V1 and V2 and changes in tissue composition or relative or absolute quantities can be assessed.

[0105] The instant invention is shown and described herein in what
15 is considered to be the most practical, and preferred embodiments. It is recognized, however, that departures may be made there from, which are within the scope of the invention, and that obvious modifications will occur to one skilled in the art upon reading this disclosure.

CLAIMSWHAT IS CLAIMED IS:

1. An image analysis method comprising:
 - obtaining a first image of a body part in a first plane, wherein the first image generates a first image data volume;
 - obtaining a second image of the body part in a second plane, wherein the second image generates a second image data volume;
 - and
 - combining the first and second image data volumes to form a resultant image data volume, wherein the resultant image data volume is isotropic.
2. The method according to claim 1, wherein the combining step comprises:
 - obtaining from said first and second image data volume first and second gray values at a three-dimensional position;
 - interpolating a resultant gray value from said first and second gray values; and
 - assigning said resultant value to a voxel at said three-dimensional position of said resultant data volume.
3. The method according to claim 1, wherein said second image is taken at an angle between about 0 and about 180 degrees from the first image.
4. The method of claim 1, wherein the first image is taken at a first angle and the second image is taken at a second angle, and further wherein the first angle does not equal the second angle.
5. The method of claim 1, wherein the first image is taken at a first time and the second image is taken at a second time.

6. The method of claim 3, wherein the second image is taken at an angle between about 0 and about 90 degrees from the first image.
7. The method of claim 1, further including:
 - selecting a therapy in response to the resultant image data volume.
8. The method of claim 1, further including:
 - selecting a treatment in response to the resultant image data volume.
9. The method of claim 1, further including:
 - obtaining at least one additional image of a body part in a plane different than other planes, wherein the additional image generates an additional image data volume, wherein the additional data volume is combined with the first and second image data volumes to form a resultant data volume.
10. The method of claim 1, further including:
 - extracting a boundary image data volume from the resulting image data volume.
11. A method for producing isotropic or near-isotropic image data comprising:
 - obtaining a first image data volume from a first image in a first plane;
 - obtaining a second image data volume from a second image in a second plane;
 - extracting boundary image data from each of the first and second image data volumes; and

combining the extracted boundary image data to form a resultant image data volume.

12. The method of claim 11, further including:
obtaining at least one additional image data volume from at least one additional image in a plane different than the first plane and the second plane;
extracting an additional boundary image data from the additional image data volume; and
combining the additional boundary image data volume with the resultant image data volume.

13. The method of claim 11, wherein the resultant image data volume is near-isotropic.

14. The method of claim 11, wherein the resultant image data volume is isotropic.

15. The method of claim 11, wherein the first plane is at an angle relative to the second plane.

16. The method of claim 15, wherein the angle is between about 0 and about 180 degrees.

17. The method of claim 16, wherein the angle is between about 0 and about 90 degrees.

18. A method for generating a three dimensional data volume comprising:

acquiring at least two data volumes from at least two images performed in two different planes;
combining the data volumes to form a resultant data volume;
selecting a therapy using the resultant data volume.

19. The method of claim 18, wherein the combining step comprises:
 - obtaining gray values for each data point in each of the data volumes;
 - interpolating a resultant gray value from gray values; and
 - assigning the resultant value to each data point of the resultant data volume.
20. The method of claim 19, further including:
 - extracting data corresponding to a surface to be scanned in each of the planes before combining said data.
21. The method of claim 18, wherein the two scans are performed at ninety degrees relative to one another.
22. A method for generating three dimensional data comprising:
 - obtaining a first image in a first plane producing a first data volume with a default resolution;
 - obtaining a second image in a second plane producing a second data volume with the default resolution;
 - combining the first and second data volumes to produce a resultant data volume, the resultant data volume having a resultant resolution.
23. The method of claim 22, wherein the resultant resolution is greater than the default resolution.
24. An image analysis method comprising:
 - obtaining at least one image of a body part in at least a first plane and a second plane, wherein the first plane generates a first image data volume and the second plane generates a second image data volume; and

combining the first and second image data volumes to form a resultant image data volume, wherein the resultant image data volume is isotropic.

25. An image analysis method comprising:

obtaining at least one image of a body part in at least a first plane and a second plane, wherein the first plane generates a first image data volume and the second plane generates a second image data volume; and

combining the first and second image data volumes to form a resultant image data volume, wherein the resultant image data volume is near-isotropic.

26. A method for generating a three dimensional data volume comprising:

acquiring at least a first data volume and a second data volume from at least a first image and a second image, wherein the first image is obtained in a first plane and the second image is obtained in a second plane and further wherein the first plane is not equal to the second plane;

combining the first data volume and the second data volume to form a resultant data volume;

monitoring a therapy utilizing the resultant data volume.

27. The method of claim 26, wherein the combining step comprises:

obtaining gray values for each data point in each of the data volumes;

interpolating a resultant gray value from gray values; and

assigning the resultant value to each data point of the resultant data volume.

28. The method of claim 27, further including:
extracting data corresponding to a surface to be scanned in
each of the planes before combining said data.
29. The method of claim 26, wherein the two scans are
performed at ninety degrees relative to one another.
30. The method of claim 26, wherein said treatment includes a
drug.
31. The method of claim 26, wherein said treatment includes a
bioactive agent.
32. The method of claim 26, wherein said treatment includes
surgery.
33. The method of claim 26, wherein the first data volume is
obtained at a first time point T1 and the second data volume is obtained at
a second time point T2.
34. A method for generating a three dimensional data volume
comprising:
acquiring at least two data volumes from at least two images
performed in two different planes;
combining the data volumes to form a resultant data volume;
selecting an implant utilizing the resultant data volume.
35. The method of claim 34, wherein the combining step
comprises:
obtaining gray values for each data point in each of the data
volumes;
interpolating a resultant gray value from gray values; and
assigning the resultant value to each data point of the

resultant data volume.

36. The method of claim 35, further including;
extracting data corresponding to a surface to be scanned in
each of the planes before combining said data.

37. The method of claim 34, wherein the two scans are
performed at ninety degrees relative to one another.

38. A method for generating a three dimensional data volume
comprising:
acquiring at least two data volumes from at least two images
performed in two different planes;
combining the data volumes to form a resultant data volume;
deriving an implant shape utilizing the resultant data volume.

39. The method of claim 38, wherein the combining step
comprises:
obtaining gray values for each data point in each of the data
volumes;
interpolating a resultant gray value from gray values; and
assigning the resultant value to each data point of the
resultant data volume.

40. The method of claim 39, further including;
extracting data corresponding to a surface to be scanned in
each of the planes before combining said data.

41. The method of claim 38, wherein the two scans are
performed at ninety degrees relative to one another.

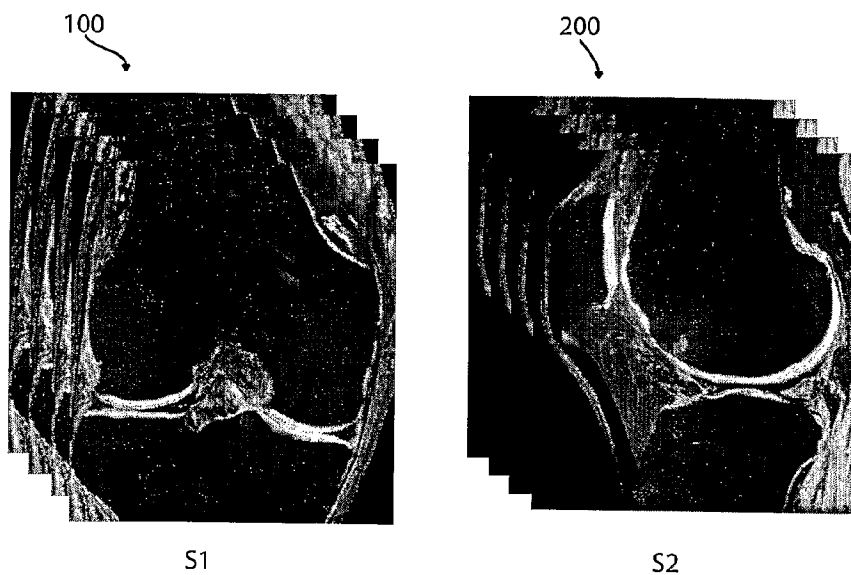


FIGURE 1

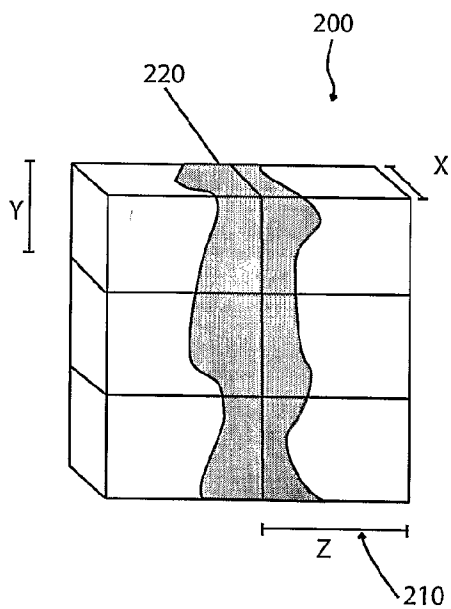


FIGURE 2

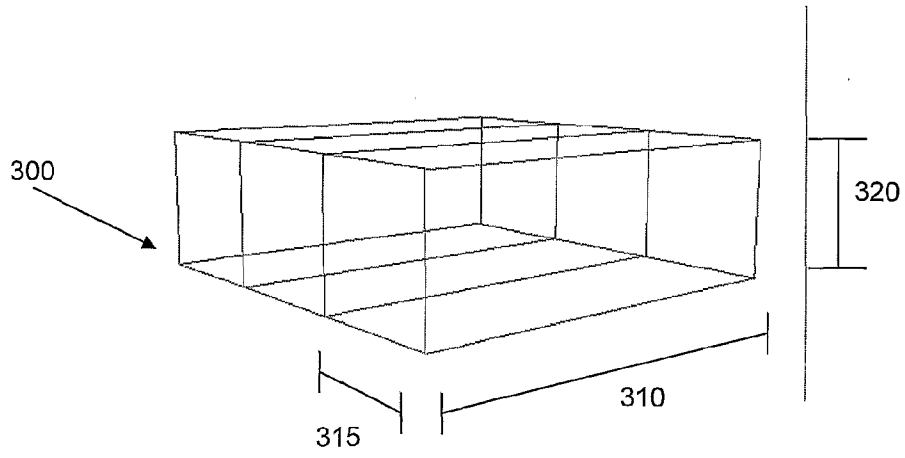


FIGURE 3

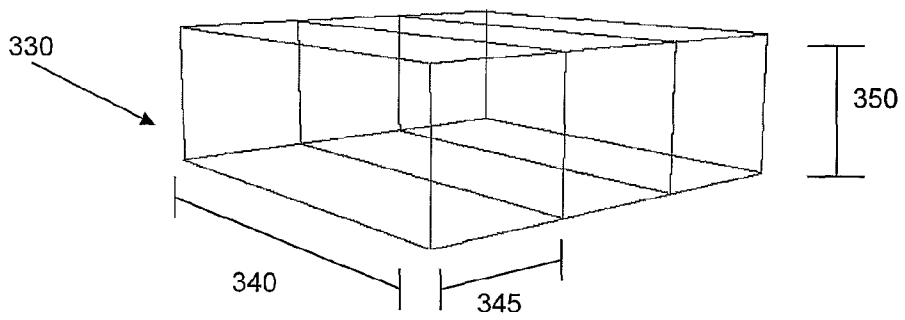


FIGURE 4

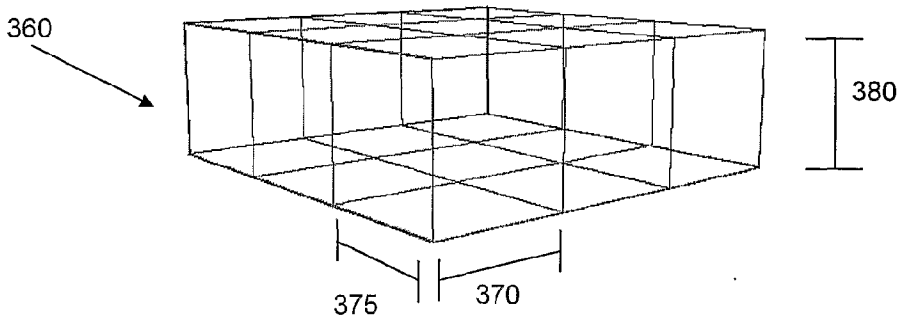


FIGURE 5

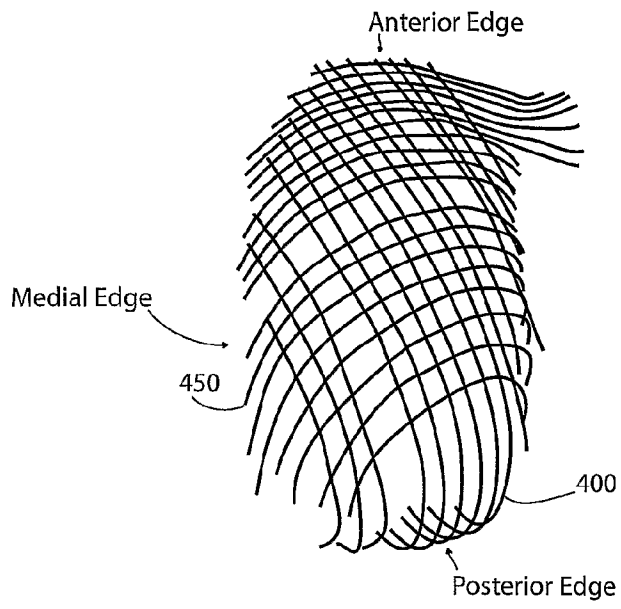


FIGURE 6

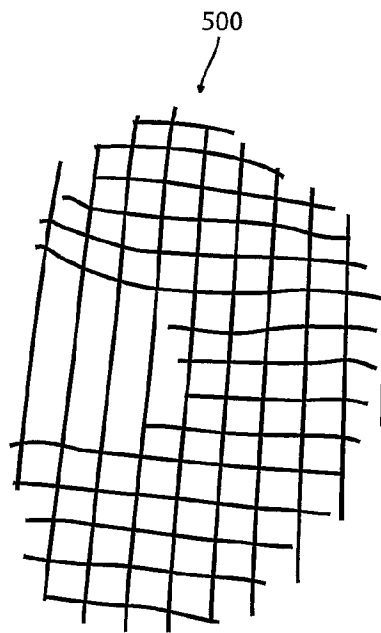


FIGURE 7

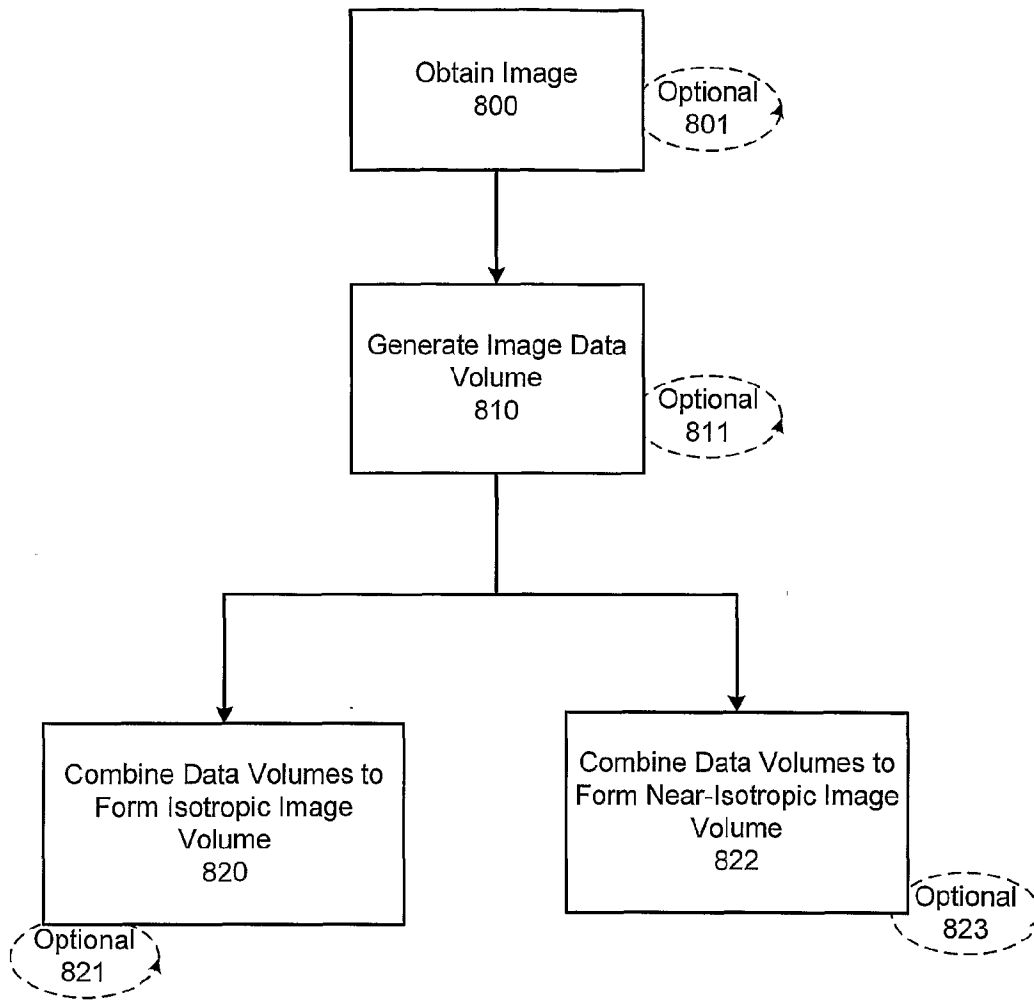


FIG. 8A

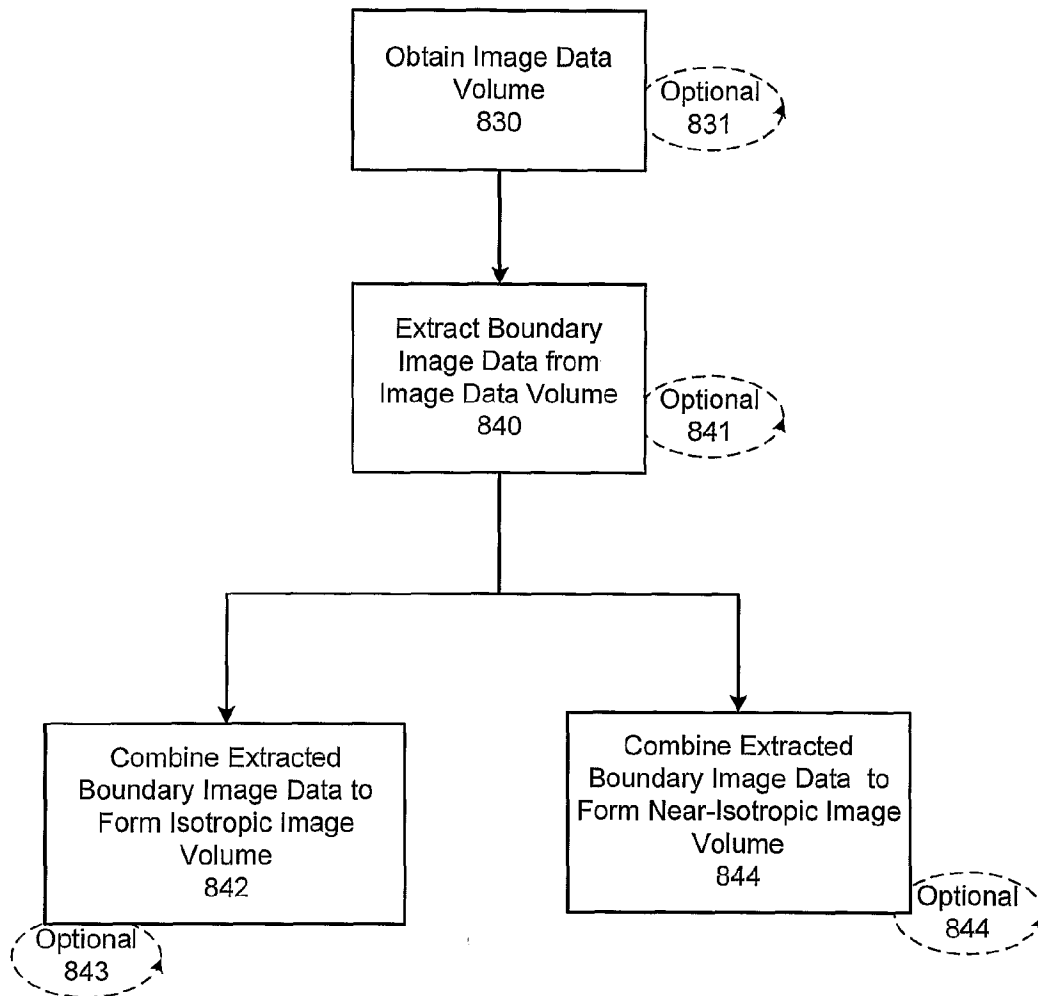


FIG. 8B

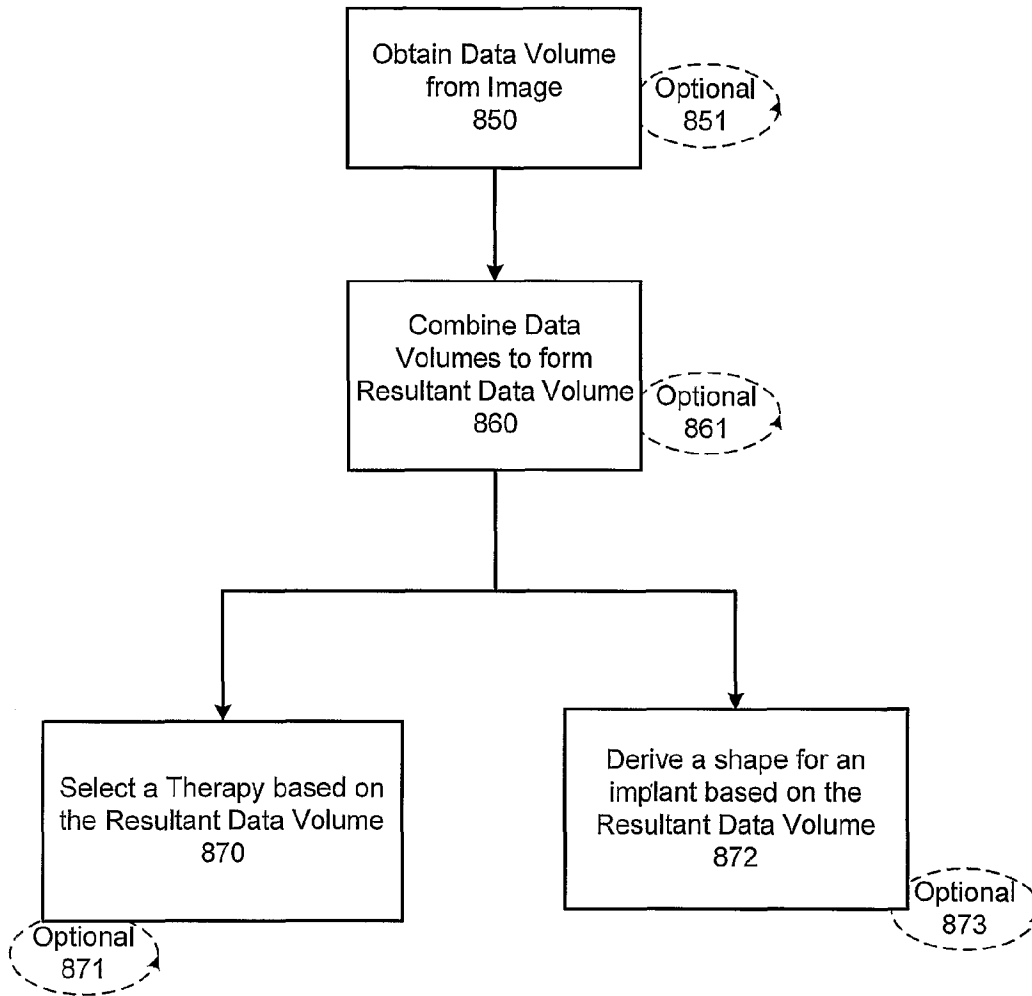


FIG. 8C

(19) World Intellectual Property
Organization
International Bureau



(43) International Publication Date
17 June 2004 (17.06.2004)

PCT

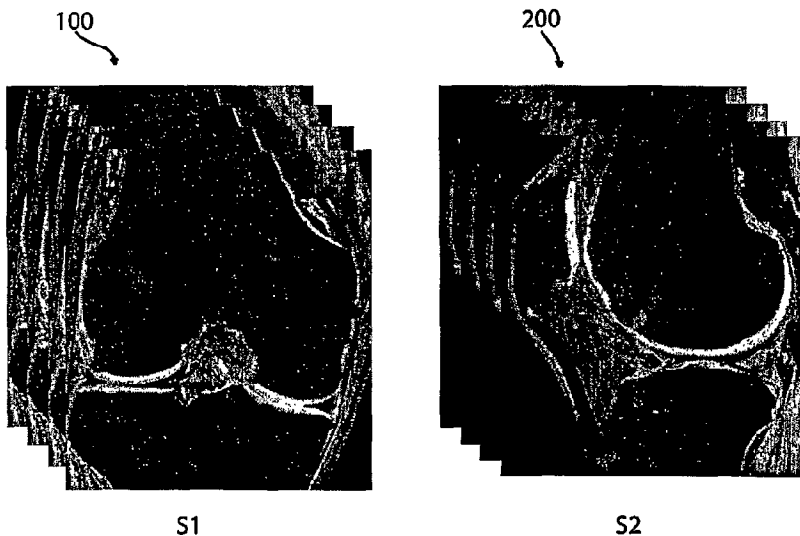
(10) International Publication Number
WO 2004/051301 A3

- (51) International Patent Classification⁷: **G06T 7/00** (US). TIMSARI, Bijan [IR/US]; 9656 Carroll Canyon Road, Apt. F5, San Diego, CA 92126 (US).
- (21) International Application Number: PCT/US2003/038682 (74) Agents: PASTERNAK, Dahna et al.; Robins & Pasternak LLP, 1731 Embarcadero Road, Suite 230, Palo Alto, CA 94303 (US).
- (22) International Filing Date: 4 December 2003 (04.12.2003) (81) Designated States (*national*): AE, AG, AL, AM, AT, AU, AZ, BA, BB, BG, BR, BW, BY, BZ, CA, CH, CN, CO, CR, CU, CZ, DE, DK, DM, DZ, EC, EE, EG, ES, FI, GB, GD, GE, GH, GM, HR, HU, ID, IL, IN, IS, JP, KE, KG, KP, KR, KZ, LC, LK, LR, LS, LT, LU, LV, MA, MD, MG, MK, MN, MW, MX, MZ, NI, NO, NZ, OM, PG, PH, PL, PT, RO, RU, SC, SD, SE, SG, SK, SL, SY, TJ, TM, TN, TR, TT, TZ, UA, UG, US, UZ, VC, VN, YU, ZA, ZM, ZW.
- (25) Filing Language: English (84) Designated States (*regional*): ARIPO patent (BW, GH, GM, KE, LS, MW, MZ, SD, SL, SZ, TZ, UG, ZM, ZW), Eurasian patent (AM, AZ, BY, KG, KZ, MD, RU, TJ, TM), European patent (AT, BE, BG, CH, CY, CZ, DE, DK, EE, ES, FI, FR, GB, GR, HU, IE, IT, LU, MC, NL, PT, RO, SE, SI, SK, TR), OAPI patent (BF, BJ, CF, CG, CI, CM, GA, GN, GQ, GW, ML, MR, NE, SN, TD, TG).
- (26) Publication Language: English
- (30) Priority Data: 60/431,176 4 December 2002 (04.12.2002) US
- (71) Applicant (*for all designated States except US*): CONFORMIS, INC. [US/US]; 323 C Vintage Park Drive., Foster City, CA 94404 (US). (72) Inventors; and (75) Inventors/Applicants (*for US only*): TSOUGARAKIS, Konstantinos [GR/US]; 950 High School Way, Apt. 3219, Mountain View, CA 94041 (US). STEINES, Daniel [DE/US]; 3619 Park Boulevard, Palo Alto, CA 94306

Published:
— with international search report

[Continued on next page]

(54) Title: FUSION OF MULTIPLE IMAGING PLANES FOR ISOTROPIC IMAGING IN MRI AND QUANTITATIVE IMAGE ANALYSIS USING ISOTROPIC OR NEAR-ISOTROPIC IMAGING



WO 2004/051301 A3

(57) Abstract: In accordance with the present invention there is provided methods for generating an isotropic or near-isotropic three-dimensional images from two-dimensional images. In accordance with the present invention the method includes, obtaining a first image of a body part in a first plane, wherein the first image generates a first image data volume; obtaining a second image of the body part in a second plane, wherein the second image generates a second image data volume; and combining the first and second image data volumes to form a resultant image data volume, wherein the resultant image data volume is isotropic or near-isotropic.



— *before the expiration of the time limit for amending the claims and to be republished in the event of receipt of amendments*

For two-letter codes and other abbreviations, refer to the "Guidance Notes on Codes and Abbreviations" appearing at the beginning of each regular issue of the PCT Gazette.

(88) Date of publication of the international search report:
2 December 2004

INTERNATIONAL SEARCH REPORT

International Application No
 P/US 03/38682

A. CLASSIFICATION OF SUBJECT MATTER
 IPC 7 G06T7/00

According to International Patent Classification (IPC) or to both national classification and IPC

B. FIELDS SEARCHED

Minimum documentation searched (classification system followed by classification symbols)
 IPC 7 G06T

Documentation searched other than minimum documentation to the extent that such documents are included in the fields searched

Electronic data base consulted during the international search (name of data base and, where practical, search terms used)
 EPO-Internal, INSPEC, PAJ, WPI Data, IBM-TDB

C. DOCUMENTS CONSIDERED TO BE RELEVANT

Category *	Citation of document, with indication, where appropriate, of the relevant passages	Relevant to claim No.
X	TAMEZ-PENA J G ET AL: "MRI isotropic resolution reconstruction from two orthogonal scans" PROCEEDINGS OF THE SPIE - THE INTERNATIONAL SOCIETY FOR OPTICAL ENGINEERING SPIE-INT. SOC. OPT. ENG USA, vol. 4322, 2001, pages 87-97, XP002298179 ISSN: 0277-786X page 87, paragraph 2 - page 89, paragraph 2.1 page 96, line 8 - line 9 -----	1,11,18, 22, 24-26,34

Further documents are listed in the continuation of box C.

Patent family members are listed in annex.

* Special categories of cited documents :

- *A* document defining the general state of the art which is not considered to be of particular relevance
- *E* earlier document but published on or after the international filing date
- *L* document which may throw doubts on priority claim(s) or which is cited to establish the publication date of another citation or other special reason (as specified)
- *O* document referring to an oral disclosure, use, exhibition or other means
- *P* document published prior to the international filing date but later than the priority date claimed

- *T* later document published after the international filing date or priority date and not in conflict with the application but cited to understand the principle or theory underlying the invention
- *X* document of particular relevance; the claimed invention cannot be considered novel or cannot be considered to involve an inventive step when the document is taken alone
- *Y* document of particular relevance; the claimed invention cannot be considered to involve an inventive step when the document is combined with one or more other such documents, such combination being obvious to a person skilled in the art.
- *&* document member of the same patent family

Date of the actual completion of the international search

28 September 2004

Date of mailing of the international search report

21/10/2004

Name and mailing address of the ISA

European Patent Office, P.B. 5818 Patentlaan 2
 NL - 2280 HV Rijswijk
 Tel. (+31-70) 340-2040, Tx. 31 651 epo nl,
 Fax: (+31-70) 340-3016

Authorized officer

Chateau, J-P